

Technical Specification

JMS-10-MES - Mobile Electric Drag Skid Dust Collector

Overview

Power	Electric
Variable Speed Drive	380-480V
Mobility	Drag skid Plus: 4 x Lifting Lugs,
Fabrication	0.12" x 0.20" Mild Steel International Two Pack Paint
Air Intake Ø	1 x 23.6" (600mm)

Filter Technical Data

Air Volume	20,000CFM (10m ³ /s)
Number of High Efficiency Filters	12
Filter Cleaning Efficiency	99.99% at 0.067 micron
Total Filter Surface Area	3100ft ² (288m ²)
Filter Temperature Limit	179.6°F (82°C)
Method of Changing Filters	Via 2 Filter Doors
Estimate Filter Change Time	Two Technicians x 1hr

Reverse Pulse Cleaning System

Reverse Pulse Cleaning Solenoids	6
Plant Air Attachment	Yes
Adjustable Pressure & Frequency Rate	Yes
Auto Drains	Yes

Centrifugal Fan

Maximum Pressure Drop Across Filters	10" iwg. (-2.5kPa).
Electric Motor	50h.p. (37kW)
Variable Air Flow Control	Yes
Fan Silencer	Yes

Discharge System

Hydraulic Reverse Augers	Yes
Main Screw Conveyor Auger	1
Stainless Steel Rotary Valves	1
Incline Screw Conveyor Auger	Front/Side



Instrumentation

CANBus PLC	Yes
HMI Touch Screen Display	7" Touch Screen Display Optional: 12" Touch Screen
Static & Differential Pressure Gauges	Yes
Emissions Monitoring Probe	Yes- 24V
Velocity Probe	Optional Upgrade

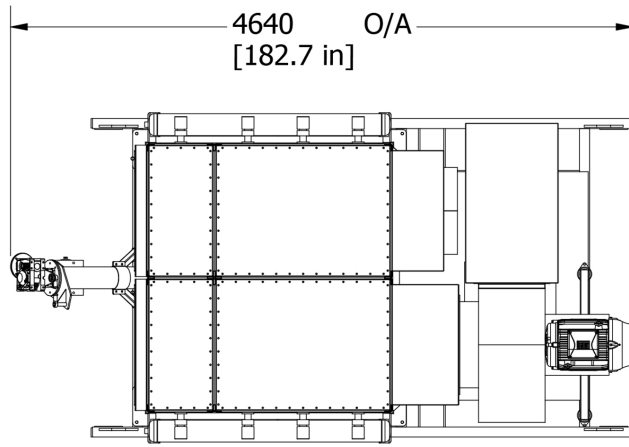
Safety Features

Emergency Stops	1
Emergency Stop Lanyard System	n/a
Operation & Maintenance Lights & Alarms	Yes
Work Safety Lights	4 x 24V
Amber Rotating Beacons	1
Mains Isolator	Yes
Fire Suppression System	Optional Upgrade

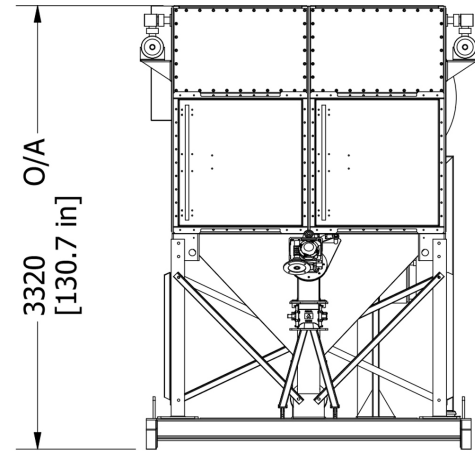
* Alternative centrifugal fans can be utilised to optimise air volume and pressure to suit site conditions and specific applications.

Technical Specification

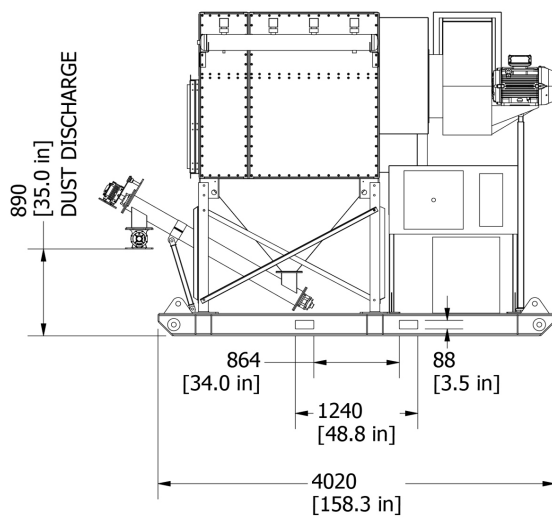
JMS-10-MES- Mobile Electric Drag Skid Dust Collector



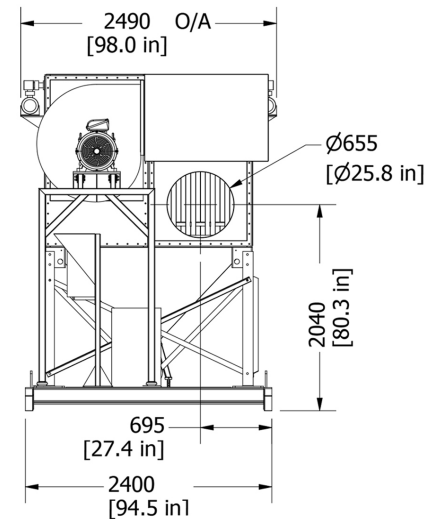
TOP VIEW



LEFT VIEW



FRONT VIEW



RIGHT VIEW

Key Dimensions

Maximum Height	130.7"
Maximum Width	98"
Maximum Length	182.7"
Mass	8,820lb (4T)

Other models in the JMS 10 M-Series

20,000CFM air volume, available as:

- **JMS-10-MDT** - mobile, diesel drag skid dust collector
- **JMS-10-MEC** - mobile, electric, castor wheel dust collector

Grydale. Experts in Dust Control

Our team have over 15 years' experience designing and manufacturing industrial dust collection and extraction solutions.

We focus on adding value through a total service offering, providing ventilation design, manufacture, implementation, ongoing project management and on-site maintenance and technical support.

Contact us for more information.
enquiries@grydaleusa.com