

Technical Specification

JMS-20-MDS

Overview

Air Volume	40,000CFM (20m³/s)
Power	Volvo Penta T4F/5 215hp (160kW) Diesel
Fuel Tank	220L Diesel Fuel Tank 45L Adblue Fuel Tank
Mobility	Drag Skid Plus: 4 x Lifting Lugs, 4 x Rigging Mounts
Fabrication	0.12" & 0.20" Mild Steel International Two Pack Paint
Air Intake Ø	1 x 44" (1118mm) Ø Plus 2 x 20" (508mm) Ø

Filter Technical Data

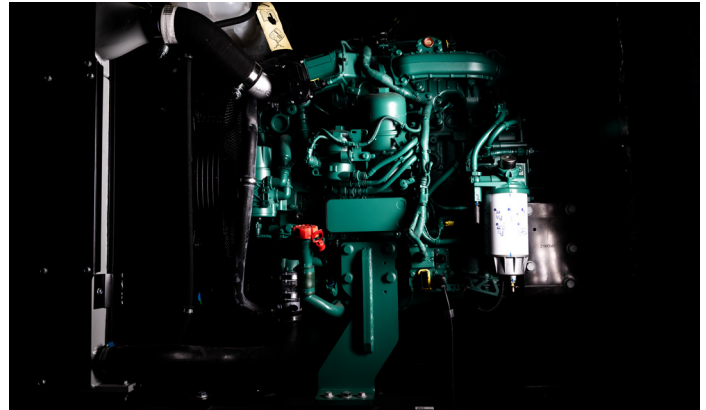
Number of High Efficiency Filters	24
Filter Cleaning Efficiency	99.99% at 0.067 micron
Total Filter Surface Area	7233ft² (672m²)
Filter Temperature Limit	82°C (179.6°F)
Method of Changing Filters	Via 2 Filter Doors
Estimate Filter Change Time	Two technicians x 2hrs
Pre-Cleaning of Air Prior to Hitting Filters	No

Centrifugal Fan

Maximum Pressure Drop Across Filters	12 iwq. (-3kPa)
Variable Air Flow Control	Yes
Fan Silencer	Yes

Reverse Pulse Cleaning System

Reverse Pulse Cleaning Solenoids	12
On-board Compressor	Yes- 37 CFM Compressor
Plant Air Attachment	Optional Extra
Adjustable Pressure & Frequency Rate	Yes
Auto Drains	Yes



Discharge System

Hydraulic Reversible Auger	Yes
Main Screw Conveyor Auger	1
Incline Screw Conveyor Auger	Option: Front / Side
Stainless Steel Rotary Valves	1

Instrumentation

CANBus PLC	Yes
HMI	7" Touch Button Display Option: 12" Touchscreen Display
Control System	CANBus
Static & Differential Pressure Gauges	Yes
Emissions Monitoring Probe	Yes – 24V
Operational Lights & Alarms	Yes
Work Safety Lights	6 x 24VDC Lights
Fuel Level Indicator Lights	Yes
Amber Rotating Beacons	2
Velocity Probe	Option
Proximity Sensors	Option
Auto Greasing System	Option

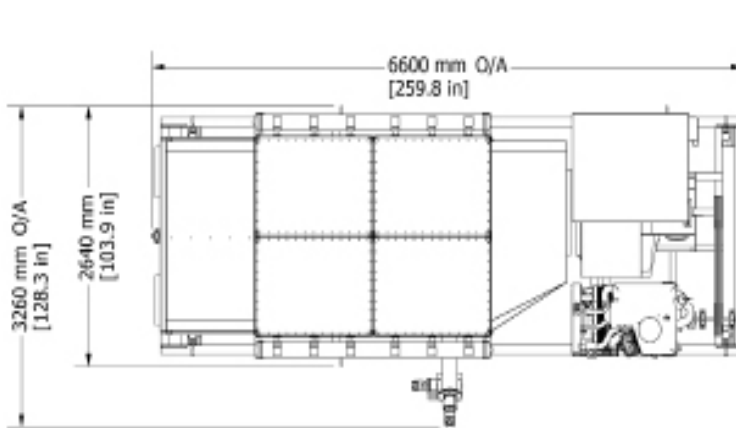
Safety Features

Risk Assessment	Available on Request
Emergency Stop	1 E-Stop
Emergency Stop Lanyard System	Yes
Amber Rotating Beacons	2
Split Isolators	Yes
Fire Suppression System	Optional Upgrade

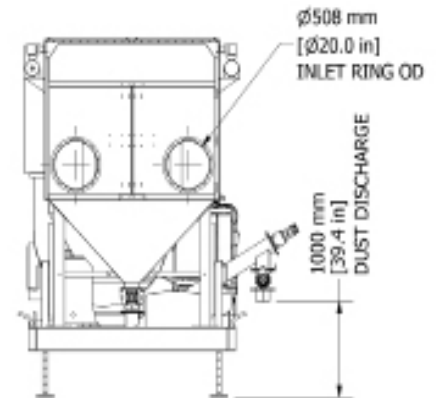
* Alternative centrifugal fans can be utilised to optimise air volume and pressure to suit site conditions and specific applications.

Technical Specification

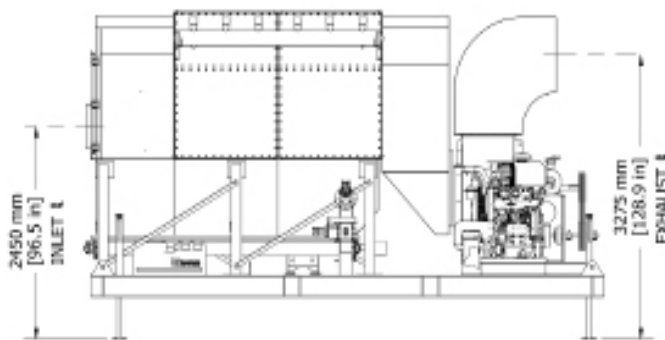
JMS-20-MDS



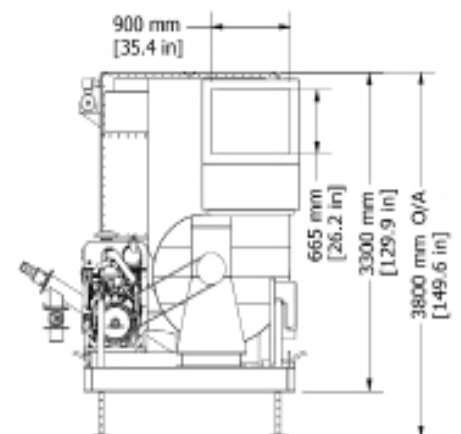
TOP VIEW



LEFT VIEW



FRONT VIEW



RIGHT VIEW

Key Dimensions

Maximum Height	3800mm
Maximum Width	3260mm (with side facing auger)
Maximum Length	6600mm
Mass	7T

Other models in the JMS 20 M-Series

20m³/s air volume, available as:

- **JMS-20-MES** - mobile, electric, skid dust collector
- **JMS-20-MDT** - mobile, diesel, track dust collector

Grydale. Experts in Dust Control

Our team have over 15 years' experience designing and manufacturing industrial dust collection and extraction solutions. We focus on adding value through a total service offering, providing ventilation design, manufacture, implementation, ongoing project management and on-site maintenance and technical support.

Contact us for more information:

enquiries@grydale.com.au