

Technical Specification

JMS-20-MDT (Slimline)

Overview

Air Volume	40,000CFM (20m ³ /s)
Power	Volvo Penta T4F/5 160kW Diesel
Fuel Tank	220L Diesel Fuel Tank 45L Adblue Fuel Tank
Mobility	Track Mounted with Remote Control Operation
Fabrication	0.12" & 0.20" Mild Steel International Two Pack Paint
Air Intake Ø	1 x 44" (1118mm Ø) Plus 2 x 20" (508mm) Ø

Filter Technical Data

Number of High Efficiency Filters	24
Filter Cleaning Efficiency	99.99% at 0.067 micron
Total Filter Surface Area	7233ft ² (672m ²)
Filter Temperature Limit	82°C (179.6°F)
Method of Changing Filters	Via 2 Filter Doors
Estimate Filter Change Time	Two technicians x 2hrs
Pre-Cleaning of Air Prior to Hitting Filters	Yes - Via Patented Drop Out Box

Reverse Pulse Cleaning System

Reverse Pulse Cleaning Solenoids	12
On-board Compressor	Yes - 37 CFM Compressor
Plant Air Attachment	Optional Extra
Adjustable Pressure & Frequency Rate	Yes
Auto Drains	Yes

Centrifugal Fan

Maximum Pressure Drop Across Filters	12 iwgf. (-3kPa)
Fan Power	120h.p. (90kW)
Variable Air Flow	Yes
Fan Silencer	Yes

Discharge System

Hydraulic Reversible Augers	Yes
Main Screw Conveyor Auger	1
Stainless Steel Rotary Valves	1
Incline Screw Conveyor Auger	Option: Front or Side Incline Discharge



Instrumentation

CANBus PLC	Yes
HMI Touch Screen	7" Touch Button Display Option: 12" Touch Screen
Static & Differential Pressure Gauges	Yes
Emissions Monitoring Probe	Yes – 24V
Operational Lights & Alarms	Yes
Work Safety Lights	6 x 24VDC Lights
Fuel Level Indicator Lights	Yes
Velocity Probe	Optional Upgrade
Proximity Sensors	Optional Upgrade
Auto Greasing System	Optional Upgrade

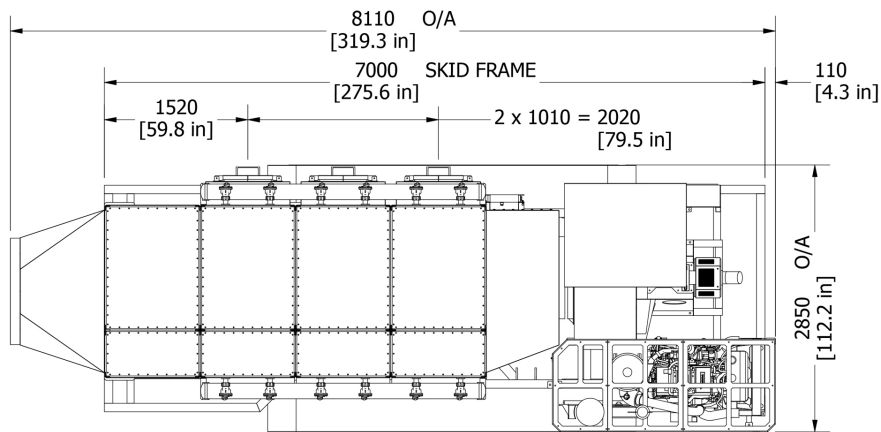
Safety Features

Emergency Stoops	1
Emergency Stop Lanyard System	Yes
Amber Rotating Beacons	2
Split Battery and Starter Isolator	Yes
Fire Suppression System	Optional Upgrade

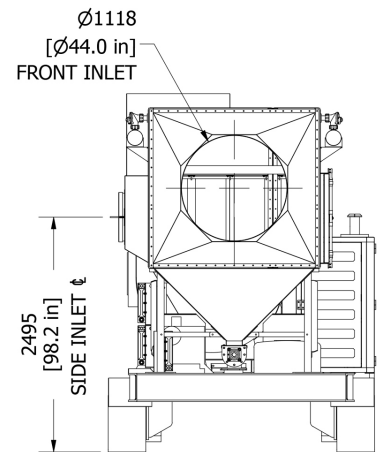
* Alternative centrifugal fans can be utilised to optimise air volume and pressure to suit site conditions and specific applications.

Technical Specification

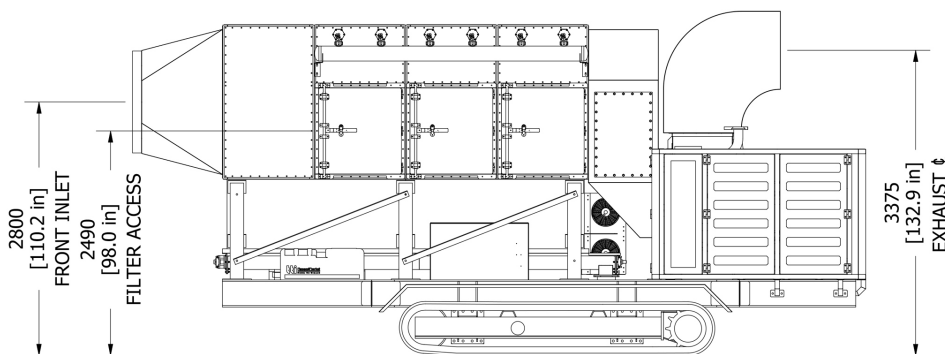
JMS-20-MDT (Slimline)



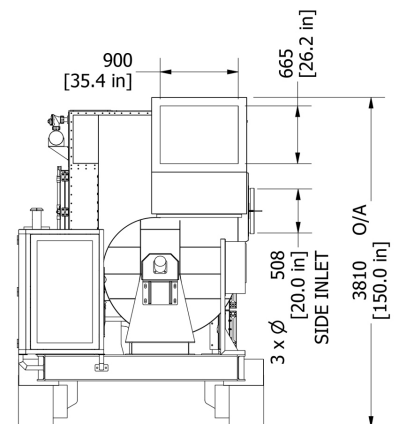
TOP VIEW



LEFT VIEW



FRONT VIEW



RIGHT VIEW

Key Dimensions

Maximum Height	150"
Maximum Width	112.2"
Maximum Length	319.3"
Mass	

Grydale. Experts in Dust Control

Our team have over 15 years' experience designing and manufacturing industrial dust collection and extraction solutions. We focus on adding value through a total service offering, providing ventilation design, manufacture, implementation, ongoing project management and on-site maintenance and technical support.

Contact us for more information.
enquiries@grydaleusa.com.au