

# Technical Specification

## JMS-20-MES

### Overview

Power	415V Electric
Variable Speed Drive	90kW
Mobility	Drag Skid Plus: 4 x Lifting Lugs, 4 x Rigging Mounts
Fabrication	3mm & 5mm Mild Steel International Two Pack Paint
Air Intake Ø	1 x 1118mm Ø Option 2 x 508mm

### Filter Technical Data

Air Volume	20m <sup>3</sup> /s
Number of High Efficiency Filters	24
Filter Cleaning Efficiency	99.99% at 0.067 micron
Total Filter Surface Area	672m <sup>2</sup>
Filter Temperature Limit	82°C (179.6°F)
Method of Changing Filters	Via 2 Filter Doors
Estimate Filter Change Time	Two technicians x 1hr

### Centrifugal Fan

Maximum Pressure Drop Across Filters	-3kPa *
Electric Motor	90kW
Hydraulic Motor	n/a
Variable Air Flow Control	Yes
Fan Silencer	Yes
Exhaust Outlet Ø	900mm Ø

### Reverse Pulse Cleaning System

Reverse Pulse Cleaning Solenoids	12
Filter Pulse Cleaning System	Plant Air Receiver Tank (180L) Attachment Kit Optional
Adjustable Pressure & Frequency Rate	Yes
Auto Drains	Yes

### Discharge System

Hydraulic Reversible Augers	Yes
Main Screw Conveyor Auger	1
Incline Screw Conveyor Auger	Front/Side
Stainless Steel Rotary Valves	1



### Instrumentation

CANBus PLC	Yes
HMI	7" Touchscreen display Option: 12" Touchscreen display
Control System	n/a
Static & Differential Pressure Gauges	Yes
Velocity Probe	Option
Auto Creasing System	Option
Emissions Monitoring Probe	Yes – 24V

### Electrical System and Wiring

Single Cubicle for Power Distribution and Control	Yes
Complies to AU / NZ / EU / CE Standards	Yes
Double Door Enclosure	800x800x300 IP 65 1.5mm
Receptacle	250 AMP
Starter and Protection	1 x 55kW VFD
Control Wiring and Relays	24VDC

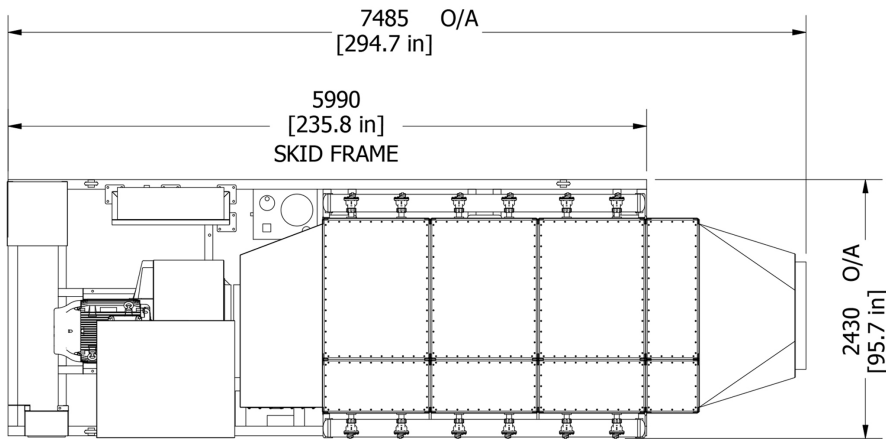
### Safety Features

Risk Assessment	Available on Request
Isolator	Mains Isolator
Emergency Stops	2
Emergency Lanyard	Yes
Operation & Maintenance Lights & Alarms	Yes
Amber Rotating Beacons	2
Fire Suppression System	Optional

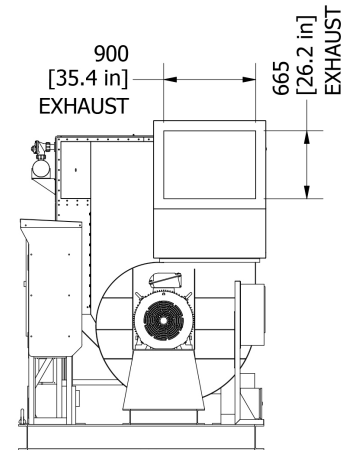
\* Alternative centrifugal fans can be utilised to optimise air volume and pressure to suit site conditions and specific applications.

# Technical Specification

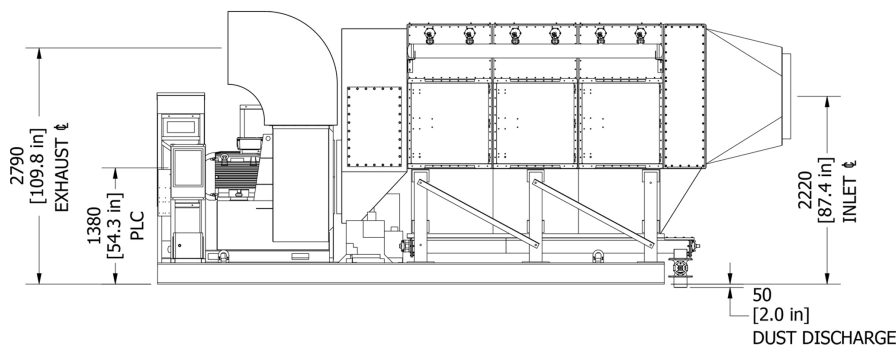
## JMS-20-MES



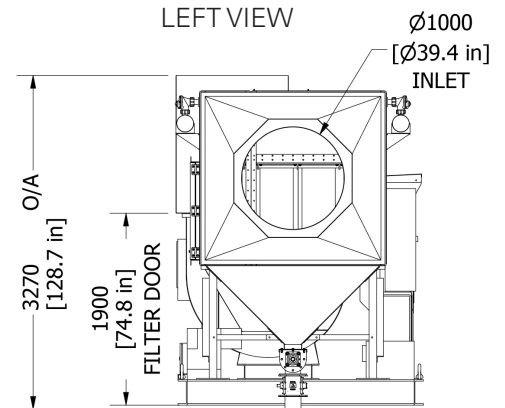
TOP VIEW



LEFT VIEW



FRONT VIEW



RIGHT VIEW

### Key Dimensions

Maximum Height	3270m
Maximum Width	2430mm skid (with front discharge auger)
Maximum Length	7485mm (with front discharge auger)
Mass	10T

### JMS 20 M-Series. Product Range

20m<sup>3</sup>/s air volume, available as:

- **JMS-20-MDT** - mobile, diesel, track dust collector
- **JMS-20-MDS** - mobile, diesel, skid dust collector

### Grydale. Experts in Dust Control

Our team have over 15 years' experience designing and manufacturing industrial dust collection and extraction solutions.

We focus on adding value through a total service offering, providing ventilation design, manufacture, implementation, ongoing project management and on-site maintenance and technical support.

**Contact us** for more information.