

# Technical Specification

## JMS-10-MES Mobile, Electric, Skid dust collector

Overview	
Power	Electric
Variable Speed Drive	380-480V
Mobility	Drag Skid Plus: 4 x Lifting Lugs
Fabrication	0.12" x 0.20" Mild Steel International Two Pack Paint
Air Intake Ø	1 x 23.6" (600mm)
Filter Technical Data	
Air Volume	20,000CFM (10m³/s)
Number of High Efficiency Filters	12
Filter Cleaning Efficiency	99.99% at 0.067 micron
Total Filter Surface Area	3,100ft² (288m²)
Filter Temperature Limit	179.6°F (82°C)
Method of Changing Filters	Via 2 Filter Doors
Estimate Filter Change Time	Two Technicians x 1hr
Reverse Pulse Cleaning System	
Reverse Pulse Cleaning Solenoids	6
Plant Air Attachment	Yes
Adjustable Pressure and Frequency Rate	Yes
Auto Drains	Yes
Centrifugal Fan	
Maximum Pressure Drop Across Filters	10" iwg (-2.5kPa).
Electric Motor	50hp (37kW)
Variable Air Flow Control	Yes
Fan Silencer	Yes
Dust Discharge System	
Hydraulic Reverse Augers	Yes
Main Screw Conveyor Auger	1
Stainless Steel Rotary Valves	1
Incline Screw Conveyor Auger	Front/Side

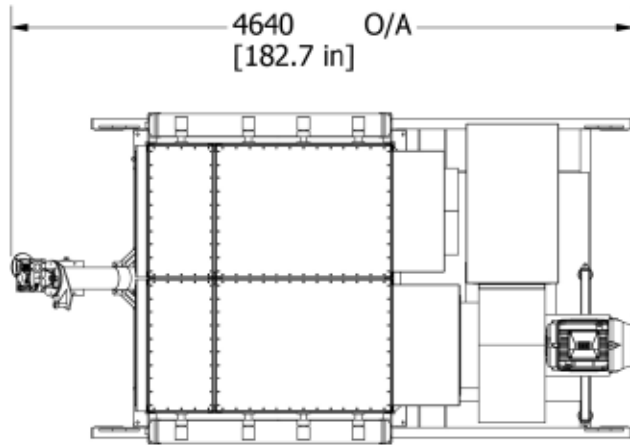


Instrumentation	
CANBus PLC	Yes
HMITouch Screen Display	7" Touch Screen Display Optional Upgrade: 12" Touch Screen Display
Static and Differential Pressure Gauges	Yes
Emissions Monitoring Probe	Yes - 24V
Velocity Probe	Optional Upgrade
Safety Features	
Emergency Stops	1
Emergency Stop Lanyard System	n/a
Operation and Maintenance Lights and Alarms	Yes
Work Safety Lights	4 x 24V
Amber Rotating Beacons	1
Mains Isolator	Yes
Fire Suppression System	Optional Upgrade

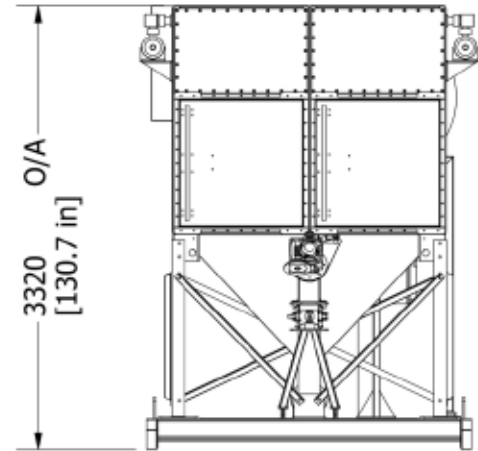
\* Alternative centrifugal fans can be utilised to optimise air volume and pressure to suit site conditions and specific applications.

# Technical Specification

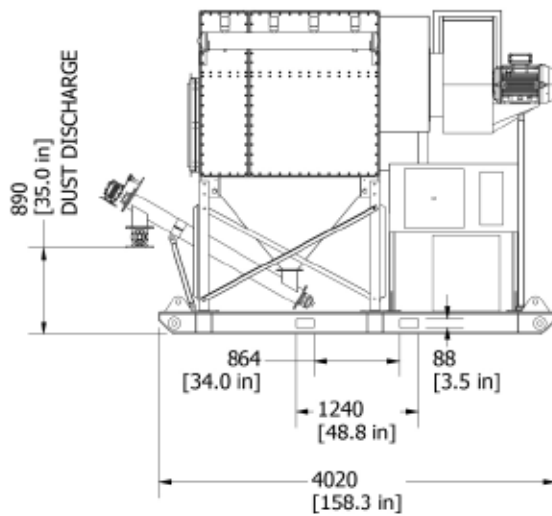
## JMS-10-MES Mobile, Electric, Skid dust collector



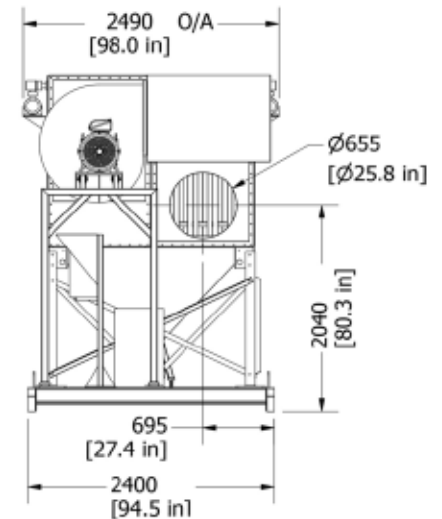
TOP VIEW



LEFT VIEW



FRONT VIEW



RIGHT VIEW

Key Dimensions	
Maximum Height	130.7"
Maximum Width	98"
Maximum Length	182.7"
Mass	8,820 lbs (4T)

### Other models in the JMS 10 M-Series

- **JMS-10-MDT**- Mobile, Diesel, Skid dust collector
- **JMS-10-MEC**- Mobile, Electric, Castor Wheel dust collector

### Grydale. Experts in Dust Control

Our team has over 15 years' experience designing and manufacturing industrial dust collection and extraction solutions.

We focus on adding value through a total service offering, providing ventilation design, manufacture, implementation, ongoing project management and on-site maintenance and technical support.

Contact us for more information.

[info@grydaleusa.com](mailto:info@grydaleusa.com)

+1 (888) 479 3253