

Technical Specification

JMS-10-MDT - Mobile, Diesel, Track dust collector

Overview	
Power	Diesel
Variable Speed Drive	380-480V
Mobility	Track Mounted with Remote Control Operation Plus: 4 x Lifting Lugs
Fabrication	0.12" x 0.20" Mild Steel International Two Pack Paint
Air Intake Ø	1 x 23.6" (600mm) 2 x 13.8" (350mm)
Filter Technical Data	
Air Volume	20,000CFM (10m ³ /s)
Number of High Efficiency Filters	18
Filter Cleaning Efficiency	99.99% at 0.067 micron
Total Filter Surface Area	5,425ft ² (504m ²)
Filter Temperature Limit	179.6°F (82°C)
Method of Changing Filters	Via 3 Filter Doors
Estimate Filter Change Time	Two Technicians x 1hr
Reverse Pulse Cleaning System	
Reverse Pulse Cleaning Solenoids	6
Plant Air Attachment	Optional Upgrade
Adjustable Pressure and Frequency Rate	Yes
Auto Drains	Yes
Centrifugal Fan	
Maximum Pressure Drop Across Filters	12" iwg (-3kPa).
Electric Motor	74hp (55kW)
Variable Air Flow Control	Yes
Fan Silencer	Yes
Dust Discharge System	
Hydraulic Reverse Augers	Yes
Main Screw Conveyor Auger	1
Stainless Steel Rotary Valves	1
Incline Screw Conveyor Auger	Front/Side

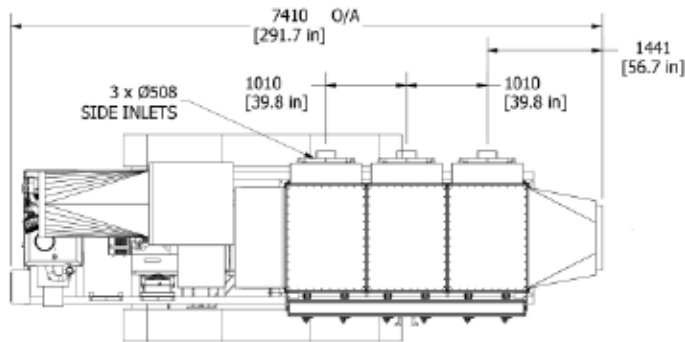


Instrumentation	
CANBus PLC	Yes
HMITouch Screen Display	7" Touch Screen Display Option Upgrade: 12" Touch Screen Display
Static and Differential Pressure Gauges	Yes
Emissions Monitoring Probe	Yes - 24V
Velocity Probe	Optional Upgrade
Safety Features	
Emergency Stops	1
Emergency Stop Lanyard System	Yes
Operation and Maintenance Lights and Alarms	Yes
Work Safety Lights	6 x 24V
Amber Rotating Beacons	2
Mains Isolator	Yes
Fire Suppression System	Optional Upgrade

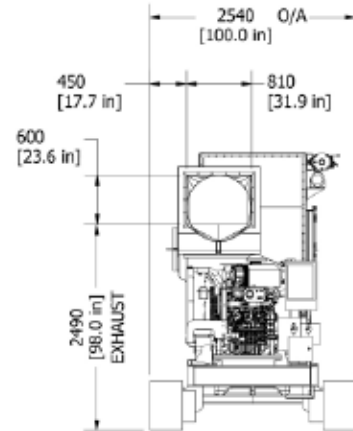
* Alternative centrifugal fans can be utilised to optimise air volume and pressure to suit site conditions and specific applications.

Technical Specification

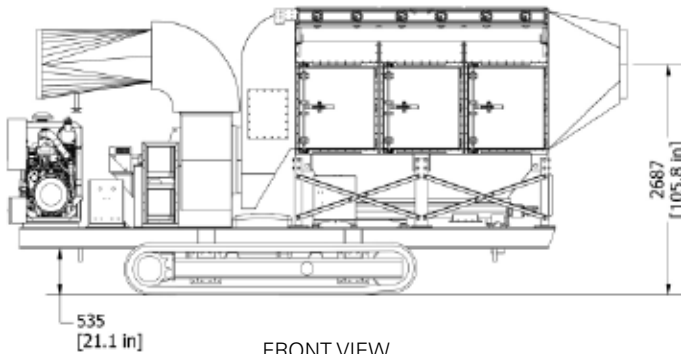
JMS-10-MDT - Mobile, Diesel, Track dust collector



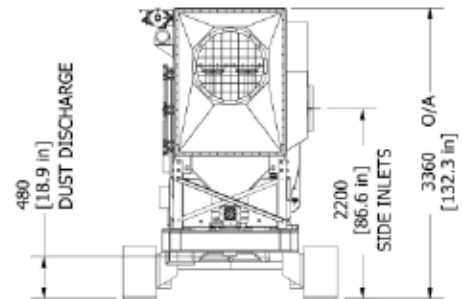
TOP VIEW



LEFT VIEW



FRONT VIEW



RIGHT VIEW

Key Dimensions	
Maximum Height	132.3"
Maximum Width	100"
Maximum Length	291.7"
Mass	17,650lb (8T)

Other models in the JMS 10 M-Series

- **JMS-10-MEC** - Mobile, Electric, Castor Wheel dust collector
- **JMS-10-MES** - Mobile, Electric, Skid dust collector

Grydale. Experts in Dust Control

Our team have over 15 years' experience designing and manufacturing industrial dust collection and extraction solutions.

We focus on adding value through a total service offering, providing ventilation design, manufacture, implementation, ongoing project management and on-site maintenance and technical support.

Contact us for more information.
info@grydaleusa.com
+1 (888) 479 3253